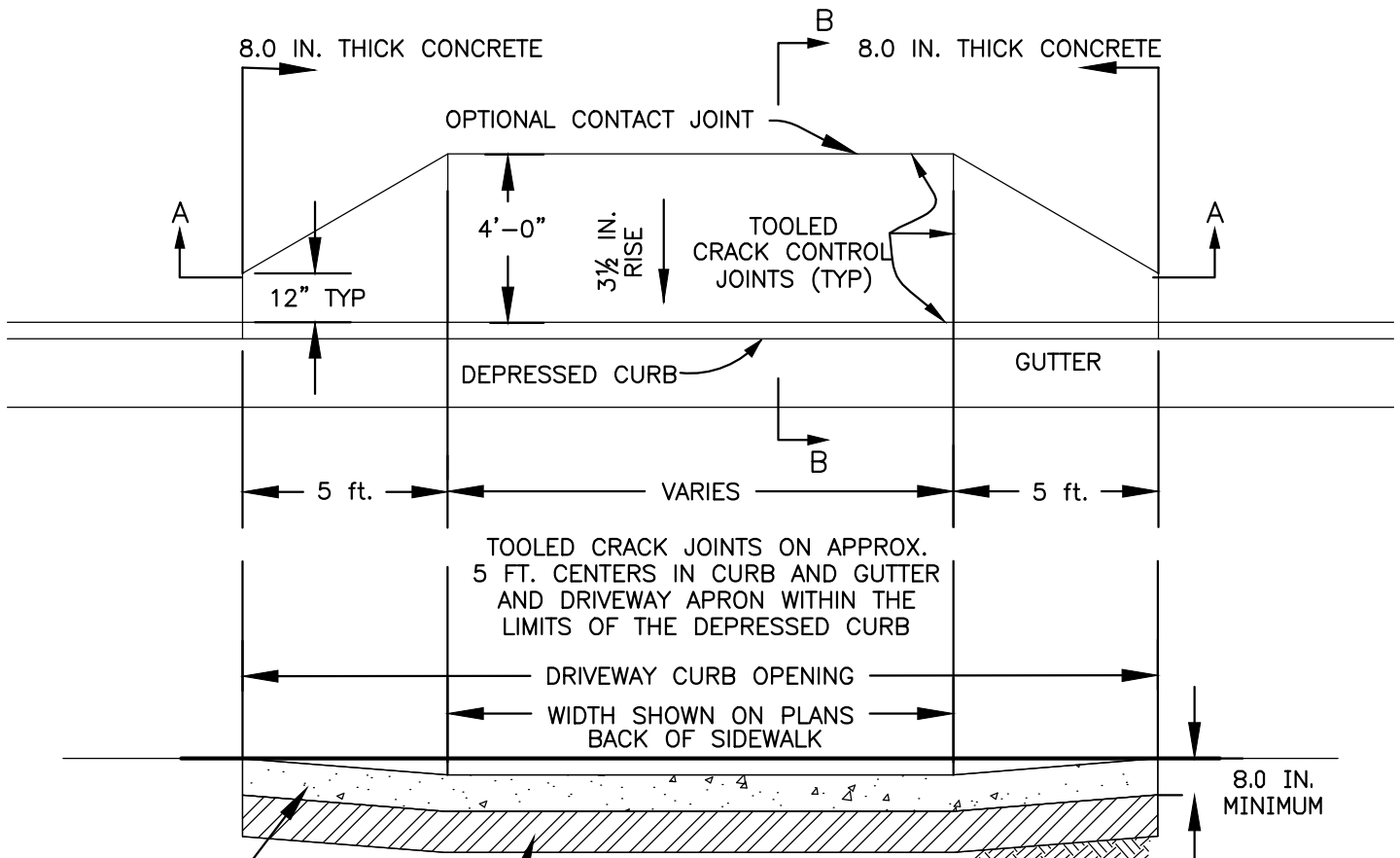


PLAN



8 IN MIN THK. CONCRETE

SECTION A-A
N.T.S.

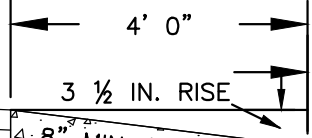
4 IN MIN OF TYPE 2, CLASS B AGGREGATE BASE (SEE NOTE 10)

SUBGRADE (SEE NOTE 11)

8.0 IN. MINIMUM

TOOLED CRACK CONTROL JOINT

8 IN MIN THK. CONCRETE IN WINGS, AND TAPERS



4 IN MIN OF TYPE 2, CLASS B AGGREGATE BASE (SEE NOTE 10)

SUBGRADE (SEE NOTE 11)

6 IN MIN OF TYPE 2, CLASS B AGGREGATE BASE (SEE NOTE 10)

SEE PAGE 4 OF 4 (13.4) FOR NOTES

SECTION B-B
N.T.S.

| NO. | REVISED | DATE |
|-----|---------|-----------|
| 1 | REDRAW | 03/10 sw |
| 2 | REVISED | 09/15 mde |
| 3 | REVISED | 08/16 ww |
| 4 | | |

STANDARD DETAILS FOR PUBLIC WORKS CONSTRUCTION

P.C.C. DRIVEWAY APRON
(STREETS W/ NO SIDEWALK)

| | |
|-------------|----------|
| SECTION: | WASHOE |
| DRAWING NO: | W-5.11 |
| DATE: | 08/16 ww |
| PAGE: | 13.2 |