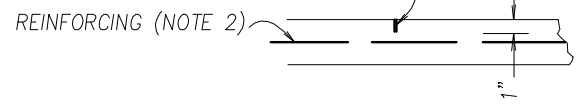


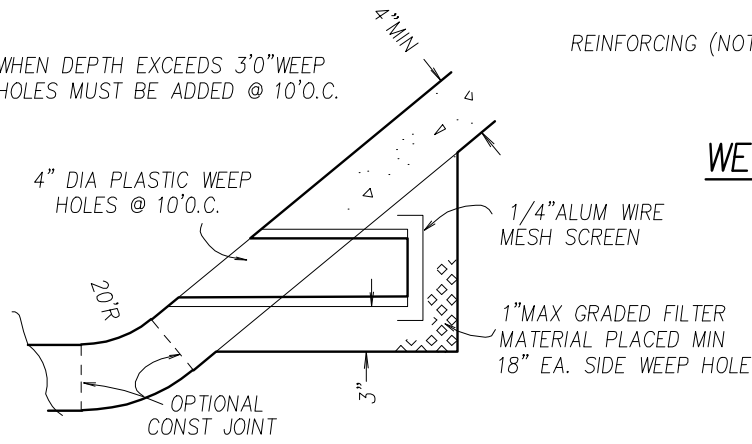
**TYP. SECTION**  
N.T.S.

3/16" PREMOLDED JOINT MATERIAL OR 1/8" SAWED JOINT FILLED W/ APPROVED JOINT SEALER (NOTE 2).

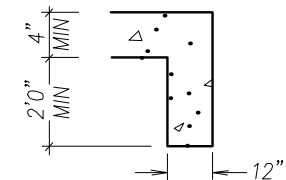


**WEAKENED PLANE JOINT**  
N.T.S.

WHEN DEPTH EXCEEDS 3'0" WEEP HOLES MUST BE ADDED @ 10'0.C.



**WEEP HOLE DET. "A"**  
N.T.S.



**CUT-OFF WALL**  
N.T.S.

**NOTES**

1. A.C. OR PIPE MAY BE SUBSTITUTED FOR PLASTIC PIPE AT WEEP HOLES.
2. WEAKENED PLANE JOINTS SHALL BE SEALED W/ APPROVED JOINT SEALER & PLACED EVERY 10FT.
3. CUT-OFF WALLS SHALL BE CONST AT EA END OF CHANNEL ALONG THE FULL WIDTH OF SECTION.
4. CHAINLINK FENCE SHALL BE AS REQ'D BY COUNTY ENGINEER.
5. REINFORCEMENT SHALL CONSIST OF COLLATED, FIBRILLATED POLYPROPYLENE FIBERS AS MFD BY FIBERMESH OR APPROVED EQUAL. ADD 1-1/2 LBS. FIBERMESH PER CU.YD. OF CONC.
6. WEEP HOLES SHALL NOT BE USED IN IRRIGATION DITCHES.
7. DEPTH OF CONC SHALL BE 4" MIN. ENGINEER MAY INCREASE DEPTH OF CONC., AS NECESSARY.
8. CONC SHALL BE MIN 6.25 sacks of TYPE II CEMENT (588 lbs) - 4000psi W/4.5-7.5% ENTRAINED AIR.

NO.			REVISD			DATE			STANDARD DETAILS FOR PUBLIC WORKS CONSTRUCTION			SECTION:		
1			REDRAWN			5/94 vp			<b>DRAINAGE CHANNEL</b>			WASHOE		
2			Notes			12/11sw						DRAWING NO: W-4.1		
												DATE: 5/94 vp PAGE: 11		