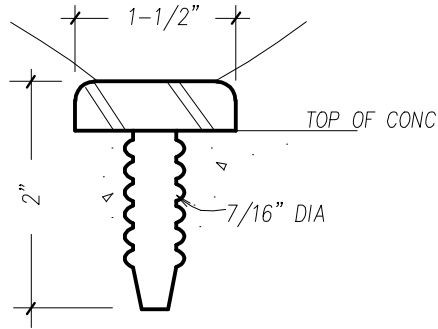
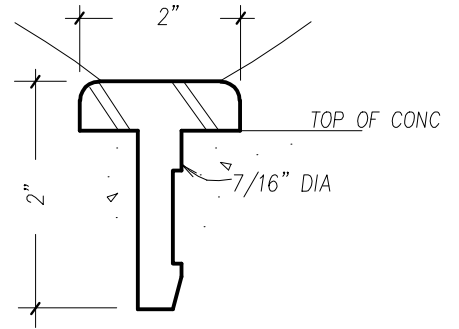


CROSS SECTION B-B'



SURVEY MARKER
TYPE A



SURVEY MARKER
TYPE B

STANDARD DETAILS FOR PUBLIC WORKS CONSTRUCTION MONUMENTS	SECTION	WASHOE
	DRAWING NO.	W-18.1
	DATE 03/10sw	PAGE 34.1