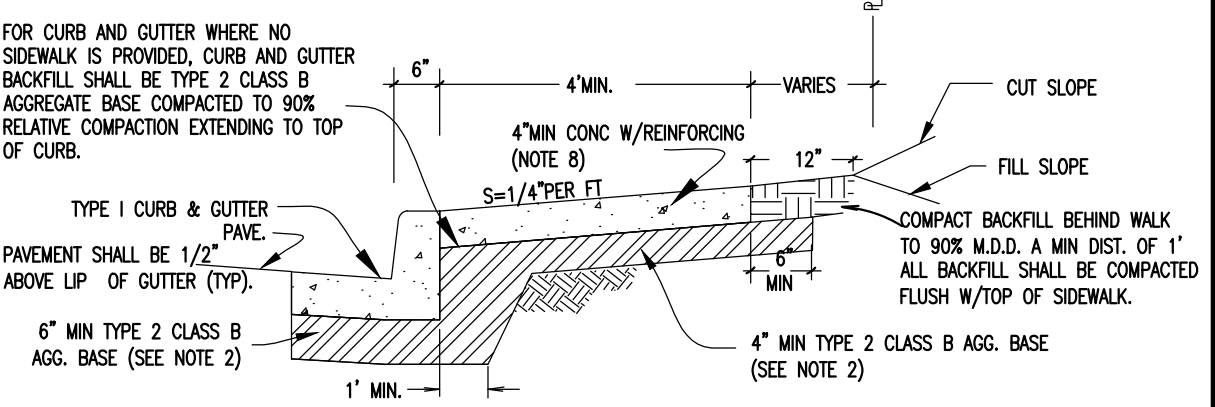


FOR CURB AND GUTTER WHERE NO SIDEWALK IS PROVIDED, CURB AND GUTTER BACKFILL SHALL BE TYPE 2 CLASS B AGGREGATE BASE COMPACTED TO 90% RELATIVE COMPACTION EXTENDING TO TOP OF CURB.



NOTES

1. PORTLAND CEMENT CONCRETE (P.C.C.) SHALL MEET THE FOLLOWING SPECIFICATIONS; 4,000 PSI MIN. COMPRESSIVE STRENGTH @ 28 DAYS W/ MIN. 6.25 SACKS OF TYPE II CEMENT (588 LBS) PER CUBIC YARD OF CONCRETE; WATER/CEMENT RATIO 0.45 MAX; AIR ENTRAINMENT SHALL BE 4.5% - 7.5%; SLUMP SHALL RANGE FROM 1" MIN TO 4" MAX. ALL MATERIALS SHALL CONFORM TO THE LATEST EDITION OF THE STANDARD SPECIFICATIONS FOR PUBLIC WORKS CONSTRUCTION (SSPWC).
2. AGGREGATE BASE SHALL BE TYPE 2 CLASS B COMPACTED TO 95% MINIMUM RELATIVE COMPACTION PER ASTM D-1557.
3. EVAPORATION REDUCERS (SUCH AS CONFLIM) SHALL BE APPLIED IMMEDIATELY AFTER INITIAL CURING.
4. FINISHING AND CURING SHALL CONFORM TO REQUIREMENTS OF THE LATEST EDITION OF THE SSPWC.
5. TESTING SHALL CONFORM TO REQUIREMENTS OF THE LATEST EDITION OF THE SSPWC.
6. SIDEWALK REMOVAL SHALL BE TO NEAT SAW-CUT-LINES.
7. NO EQUIPMENT SHALL BE PERMITTED ADJACENT TO OR ACROSS THE SIDEWALK UNTIL THE FOURTH DAY FOLLOWING PLACEMENT OF THE CONCRETE OR UNTIL THE CONCRETE HAS REACHED A MINIMUM COMPRESSIVE STRENGTH OF 3,000 PSI.
8. REINFORCING SHALL CONSIST OF COLLATED, FIBRILLATED, POLYPROPYLENE FIBERS AS MANUFACTURED BY FIBERMESH OR APPROVED EQUAL AND SHALL BE ADDED AT A RATE OF 11/2 LBS PER CUBIC YARD OF CONCRETE.
9. SUBGRADE SHALL BE COMPACTED TO 90% MIN RELATIVE COMPACTION. IF EXPANSIVE OR UNSUITABLE MATERIALS ARE ENCOUNTERED AT SUBGRADE ELEVATION, THE SOILS SHALL BE OVER-EXCAVATED TO CONFORM TO THE SOILS REPORT OR REQUIREMENTS OF WASHOE COUNTY. THE SUBGRADE SHALL BE INSPECTED AND APPROVED BY WASHOE COUNTY PRIOR TO PLACEMENT OF AGGREGATE BASE.
10. SIDEWALK SHALL RECEIVE A LIGHT BROOM FINISH.
11. SEE ROADWAY SECTIONS FOR SIDEWALK WIDTHS

NO.			REVISED		DATE		STANDARD DETAILS FOR PUBLIC WORKS CONSTRUCTION		SECTION:			
1			REDRAWN		2/94vp		P.C.C. SIDEWALK		WASHOE			
2			Notes		11/11sw				DRAWING NO:		W-16.2	
3			Revision		8/16ww				DATE: 08/16ww		PAGE: 30	