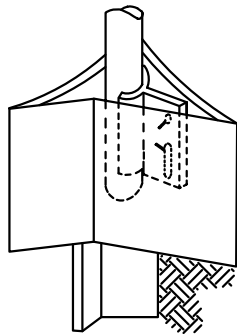
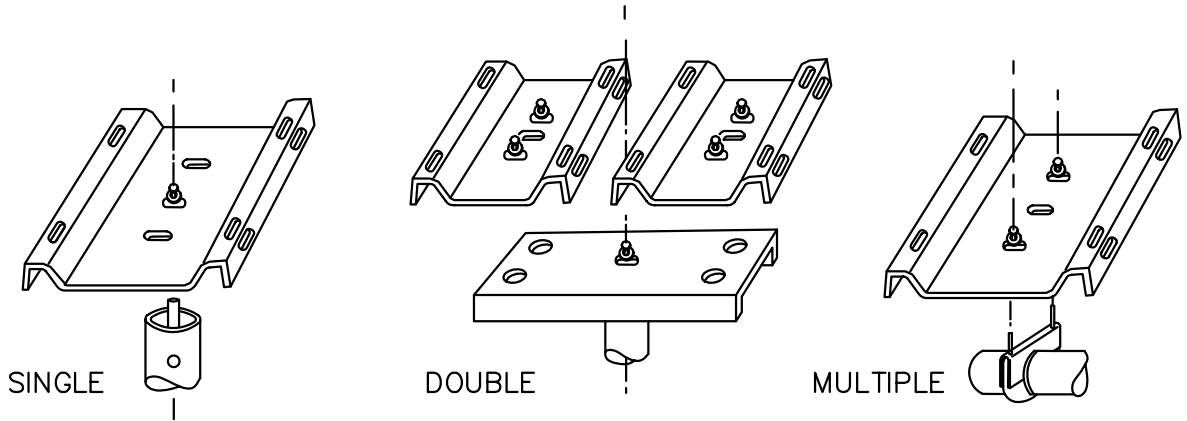


SUPPORT SYSTEMS



NOTE: Support Frame and Foundation are Proprietary Products

YIELDING BASE POST SUPPORT



M A I L B O X M O U N T S

SINGLE & MULTIPLE MAILBOX ASSEMBLIES
APPROVED ALTERNATES N. T. S.

NO.	REVISED	DATE	STANDARD DETAILS FOR PUBLIC WORKS CONSTRUCTION	SECTION:
1	DRFTD.	1/92 vp	MAILBOXES	WASHOE
				DRAWING NO:
				W-14
				DATE: 1/92vp PAGE: 27