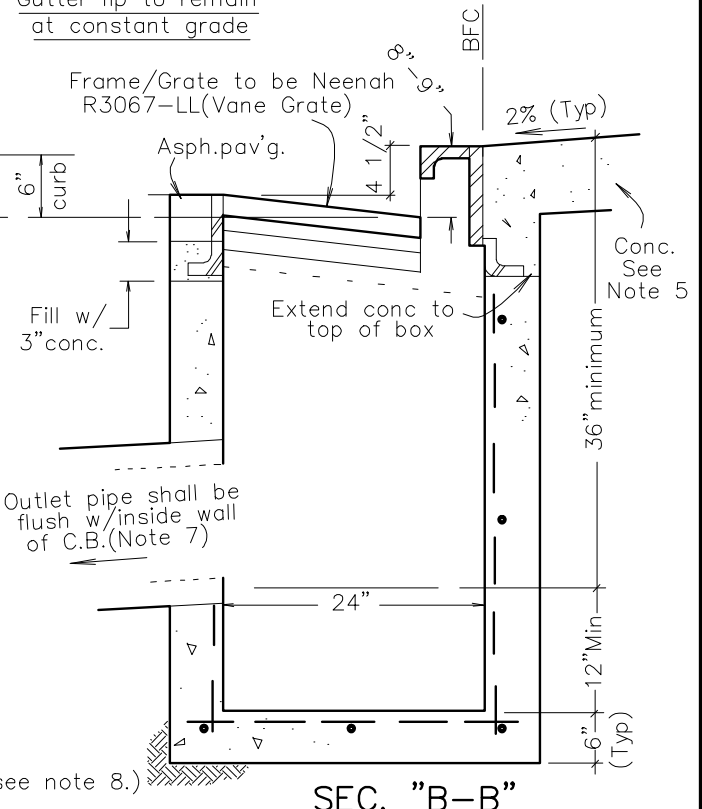
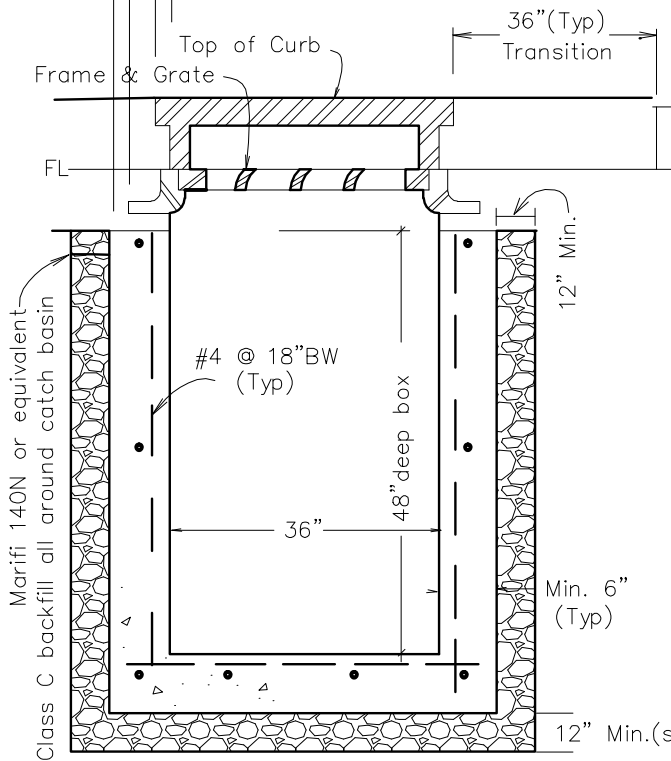


**NOTES**

1. Conc. for cast in place Catch Basin and 4'x4' concrete pad shall be 6.25 sacks of Type II cement (588 lbs) per cu. yd. of concrete 4000psi w/4.5-7.5% entrained air.
2. Reinforcing shall be fibermesh.
3. Conc structure may be a pre cast conc unit upon approval of the Co. Engineer.
4. Frame and grate shall be Neenah R3067-LL(Vane Grate), South Bay Foundry SBF1947 (Vane Grate) or approved equal.
5. 8"thick conc pad shall be constructed as shown when not located in sidewalk. 6" of Type 2 Class B agg base shall be placed & compacted beneath 4'x4' pad to 90% relative compaction. Extend conc to top of box.
6. Type 4R Catch Basins shall be used on all grades and in all sump locations within roadway section.
7. Outlet pipe shall be min 12" dia RCP, PVC or HDPE.
8. In areas of fine grained or expansive soils, class "C" backfill depth below the bottom of the box shall be 24 inches.
9. Catch basin outlet pipe shall be bedded in class "C" backfill.

Gutter lip to remain at constant grade



SEE DETAIL ON SHEET 25.1

NO.	REVISED	DATE	<b>STANDARD DETAILS FOR PUBLIC WORKS CONSTRUCTION</b>	SECTION:	
1	Note 1	12/11sw	<b>CATCH BASIN TYPE 4-R</b>	<b>WASHOE</b>	
				DRAWING NO:	<b>W-12</b>
				DATE:	<b>03/10sw</b>
				PAGE:	<b>25</b>