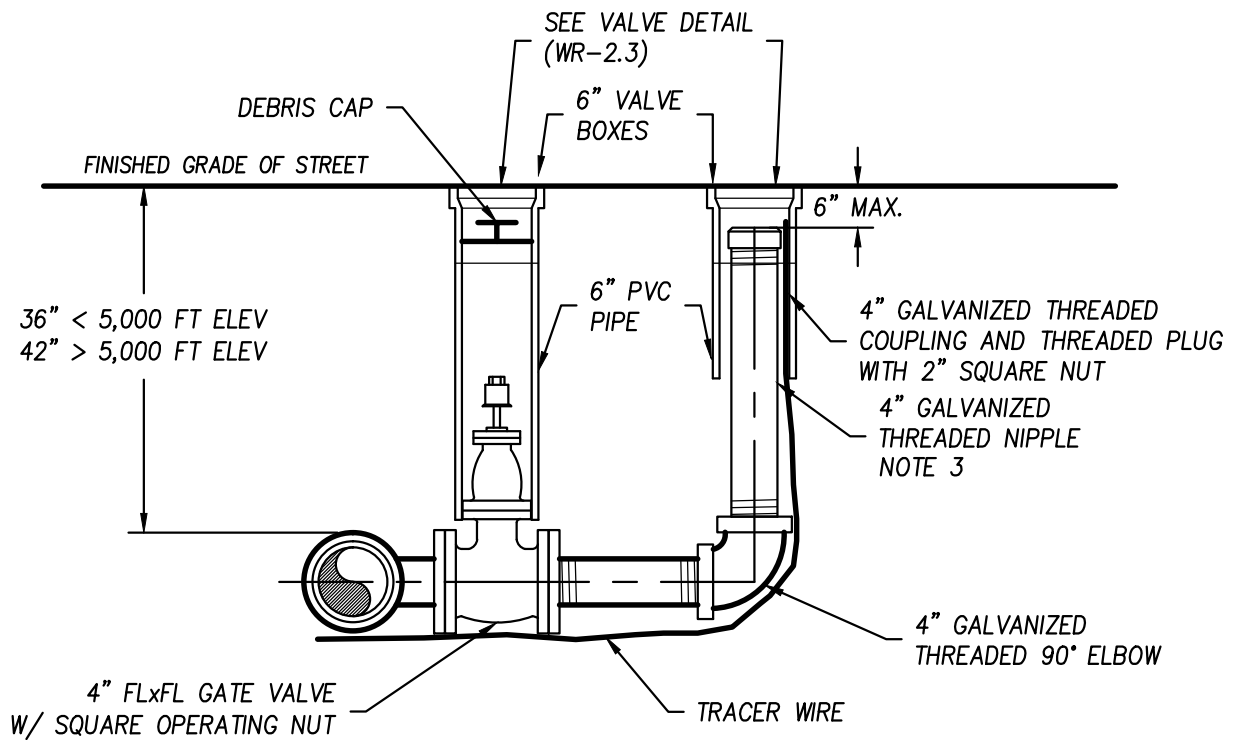


PLAN VIEW

Not to Scale



SECTION A-A

Not to Scale

NOTES:

1. COAT ALL EXPOSED METAL WITH MASTIC
2. ALL FITTINGS TO BE POLY WRAPPED PRIOR TO CONCRETE PLACEMENT
3. GALVANIZED NIPPLE SHALL BE CONTINUOUS OR TACK WELDED AT EACH JOINT.

NO.			REVISED	DATE	STANDARD DETAILS FOR PUBLIC WORKS CONSTRUCTION	SECTION:			
<h2>4" FLUSH VALVE ASSEMBLY IN-LINE</h2>						WASHOE			
						DRAWING NO:	WR-2.8		
						DATE:	7/09	PAGE:	18