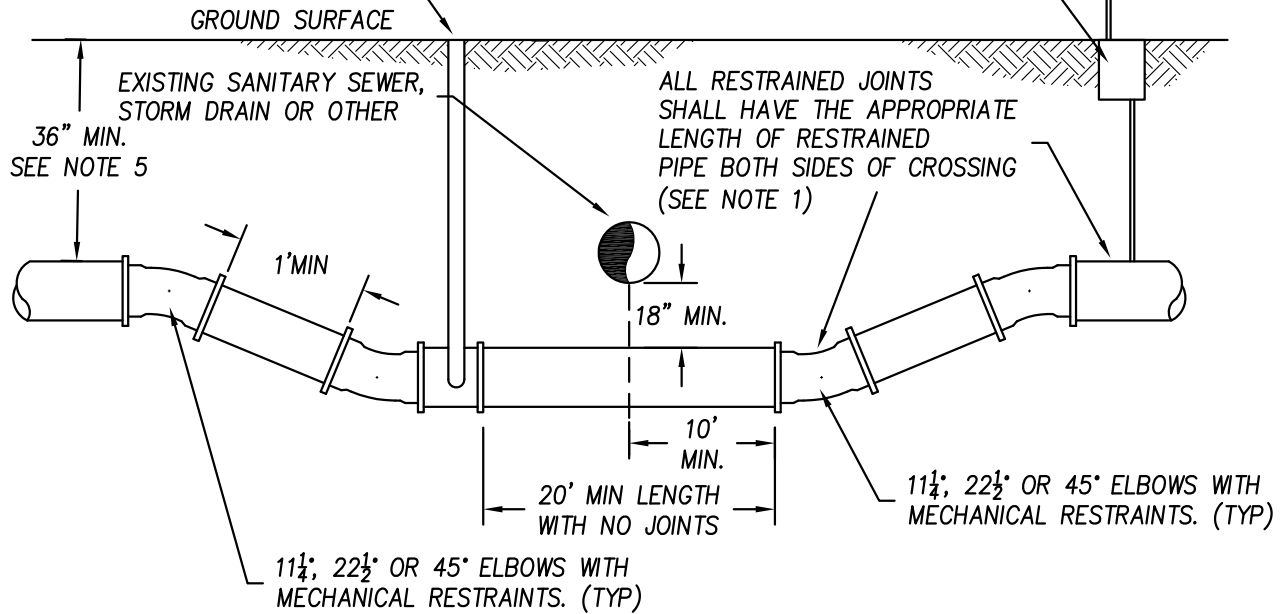


LINE FLUSH VALVE ASSEMBLY
LOW POINT (WR-2.8)

COMBINATION AIR RELEASE ASSEMBLY
(SEE NOTE 2)



NOTES:

1. RESTRAINED LENGTH CALCULATIONS PREPARED BY A NEVADA LICENSED ENGINEER MUST BE PROVIDED..
2. COMBINATION AIR VALVES TO BE INSTALLED AT ALL HIGH POINTS. TO BE SIZED BY THE ENGINEER.
3. ALL CROSSINGS CLEARANCES AND PROTECTIONS SHALL CONFORM TO NAC 445A.
4. ALL FITTINGS SHALL CONFORM TO AWWA C110, C153 AND/OR C111
5. MINIMUM DEPTH TO TOP OF PIPE = 42" IF ELEVATION > 5000'.

NO.	REVISED	DATE	STANDARD DETAILS FOR PUBLIC WORKS CONSTRUCTION	SECTION:	
1	ARJ	10/13	WATERMAIN LOWERING DETAIL	WASHOE	
				DRAWING NO:	WR-2.20
				DATE: 7/09	PAGE: 35