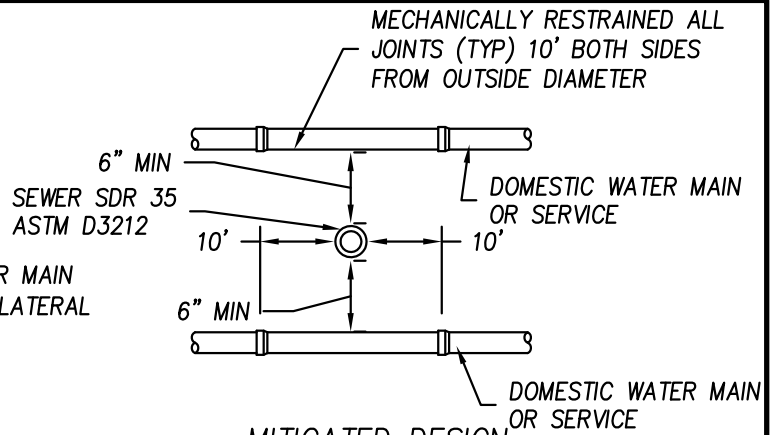
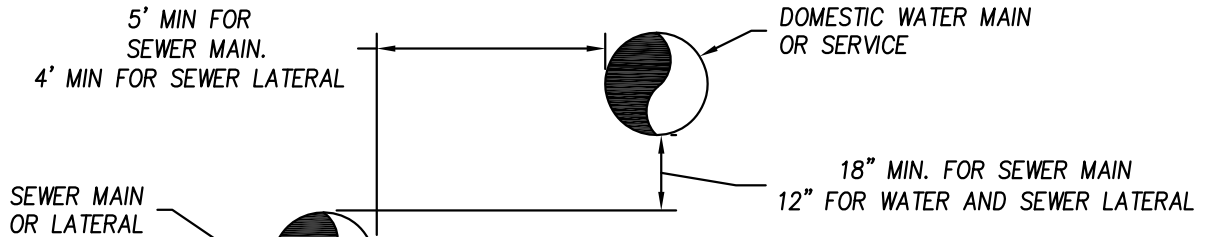


PREFERRED

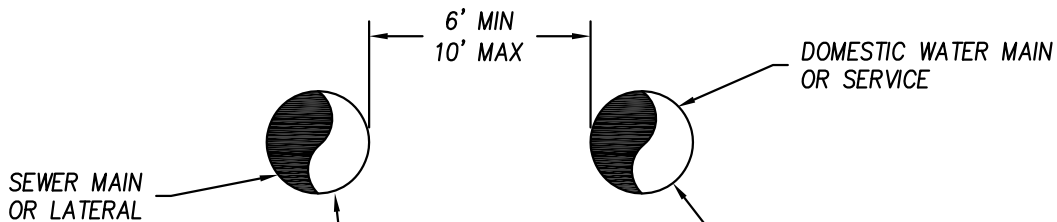


MITIGATED DESIGN

WATER CROSSING



PREFERRED



Notes:

1. A SEWER IS ANY NON-POTABLE LINE INCLUDING BUT NOT LIMITED TO MAINS AND LATERALS OF SANITARY SEWER, STORM DRAINS, PRESSURIZED FORCE MAINS AND RECLAIMED WASTEWATER.
2. MITIGATED CROSSING DESIGN CAN UTILIZE JOINTLESS PIPE PER SSPWC OR BSDW APPROVED EQUAL FOR WATER AND SEWER. NON-SDR 35 (ASTM D3212) SEWER PIPE MAY UTILIZE JOINTLESS PIPE OR APPROVED JOINT SEALANT MEETING ASTM C877.
3. NO VERTICAL SEPERATION IS REQUIRED IF THERE IS 10 FEET OR MORE SEPARATION BETWEEN WATER AND SEWER LINES.

NON- PRESSURIZED PIPE:
SDR 35 (ASTM D3212),
EXTERNAL JOINT SEALANT (ASTM C877),
JOINTLESS PIPE OR APPROVED EQUAL
PRESSURIZED PIPE:
MECHANICALLY RESTRAIN ALL JOINTS,
JOINTLESS PIPE
OR APPROVED EQUAL

MECHANICALLY RESTRAIN ALL JOINTS,
JOINTLESS PIPE OR APPROVED EQUAL

MITIGATED DESIGN
DOMESTIC WATER PARALLEL SEPARATION

NO.	REVISED	DATE	STANDARD DETAILS FOR PUBLIC WORKS CONSTRUCTION	SECTION:	WASHOE	
			WATER & SEWER SEPARATIONS	DRAWING NO:	WR-2.2.1	
				DATE:	1/14	PAGE: 11
				DETAIL		