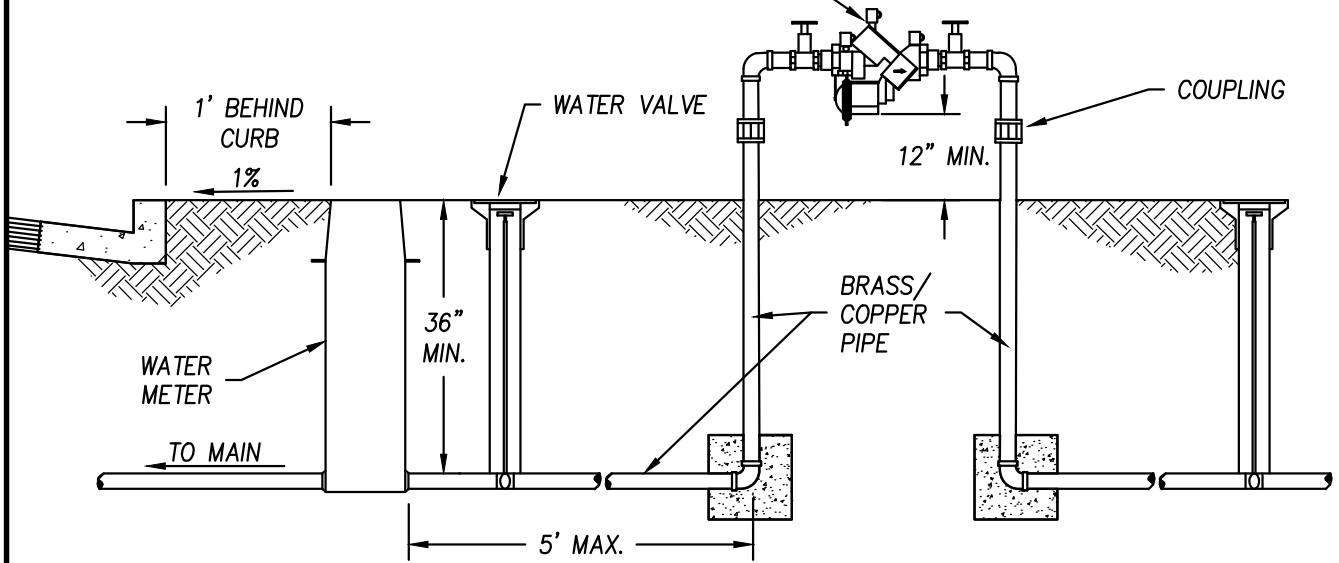


USC LISTED REDUCED PRESSURE
BACKFLOW PREVENTER RESILIENT
SEATED SHUTOFF VALVES REQUIRED



NOTES:

1. RISER PIPE TO BE BRASS OR COPPER. ELBOWS AND FITTINGS TO BE BRASS. FLANGED DUCTILE IRON TO BE USED FOR PIPES 4" AND GREATER.
2. REDUCED PRESSURE BACKFLOW PREVENTER RESILIENT SEATED SHUTOFF VALVES REQUIRED.
3. BACKFLOW DEVICE TO BE REDUCED PRESSURE PRINCIPLE (SIZE AS INDICATED ON PLANS).

NO.	REVISED	DATE	STANDARD DETAILS FOR PUBLIC WORKS CONSTRUCTION	SECTION:	WASHOE
			IRRIGATION REDUCED PRESSURE BACKFLOW PREVENTER	DRAWING NO:	WR-2.15
				DATE: 7/09	PAGE: 28