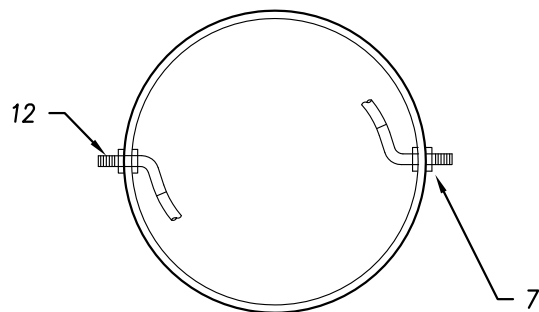
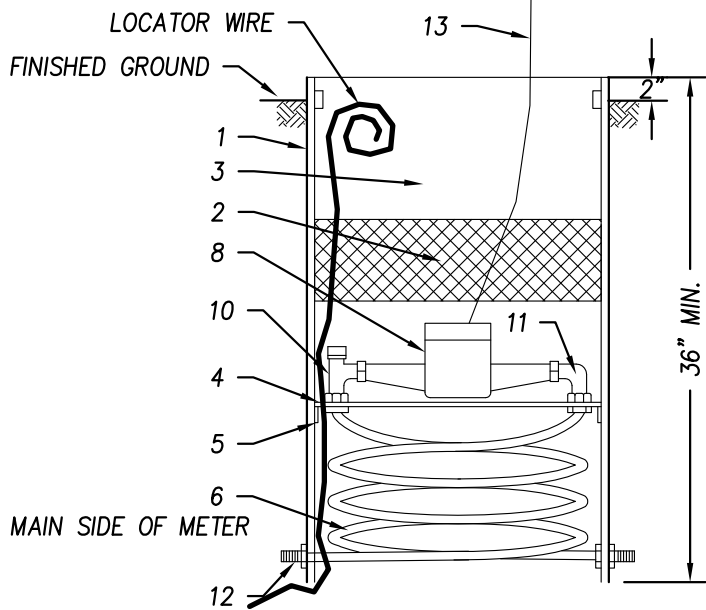


**LEGEND**

1. PVC BOX MIN. WALL THICKNESS 0.3"
2. STYROFOAM INSULATION
3. AIR SPACE
4. PLATFORM
5. PLATFORM SUPPORT
6. POLYBUTYLENE PIPE
7. I.P.S. THREADS
8. WATER METER—APPROVED BY DWR WITH REMOTE READING DEVICE, SENSUS iPERL (ICE REGISTERS WITH FLEXNET END POINT TRANSMITTERS).
9. CAST IRON FLAT TOP W/ 1 1/2" TRANSPONDER OPENING. EPOXY COAT RECLAIM METER TOPS PURPLE
10. MUELLER VALVE OR APPROVED EQUAL(NO. 14244)
11. MUELLER ANGLE CHECK VALVE
12. INLET LINE TO BE 1". HOSE TERMINUS TO REMAIN WITHIN 15° OF HORIZONTAL
13. REMOTE READ WIRE

**GENERAL NOTES**

1. SERVICE LINE—SIZE AS SHOWN WITH COUPLING ADAPTOR
2. PIT SETTER EXTENSION SHALL ONLY BE USED UPON APPROVAL BY DWR



18" DIAMETER THERMAL-COIL METER BOX FOR 1" SINGLE PIT SETTER

STANDARD DETAILS FOR PUBLIC WORKS CONSTRUCTION			SECTION: WASHOE	
NO.	REVISED	DATE	DRAWING NO: WR-2.11.2	
1	ARJ	1/14		
<b>1" METER VAULT</b>			DATE: 7/09	PAGE: 22