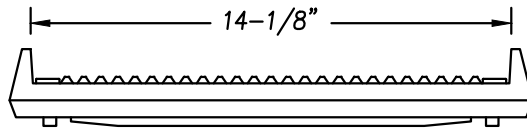
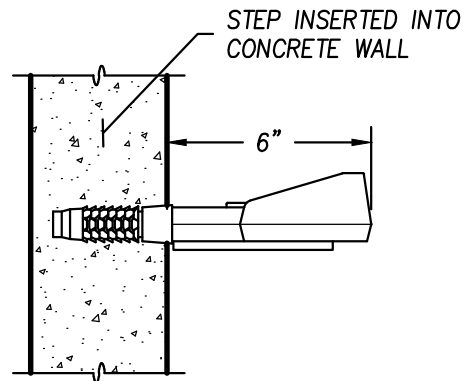


TOP VIEW



FRONT VIEW



SIDE VIEW

NOTES:

1. PLASTIC STEPS SHALL MEET THE REQUIREMENTS OUTLINED IN ASTM D-4101 UNDER TYPE II.
2. STEEL REINFORCING BAR STEPS SHALL BE A DEFORMED 1/2" REINFORCING BAR, GRADE 60 MATERIAL AND CONFORM TO ALL REQUIREMENTS OF ASTM A-615.
3. STEPS SHALL BE REQUIRED IN ANY MANHOLE 5' OR DEEPER FROM FINISHED GRADE TO FLOW LINE..

NO.	REVISED	DATE	STANDARD DETAILS FOR PUBLIC WORKS CONSTRUCTION	SECTION:
			MANHOLE STEPS	WASHOE
				DRAWING NO:
				WR-1.7
				DATE: 7/09
				PAGE: 7