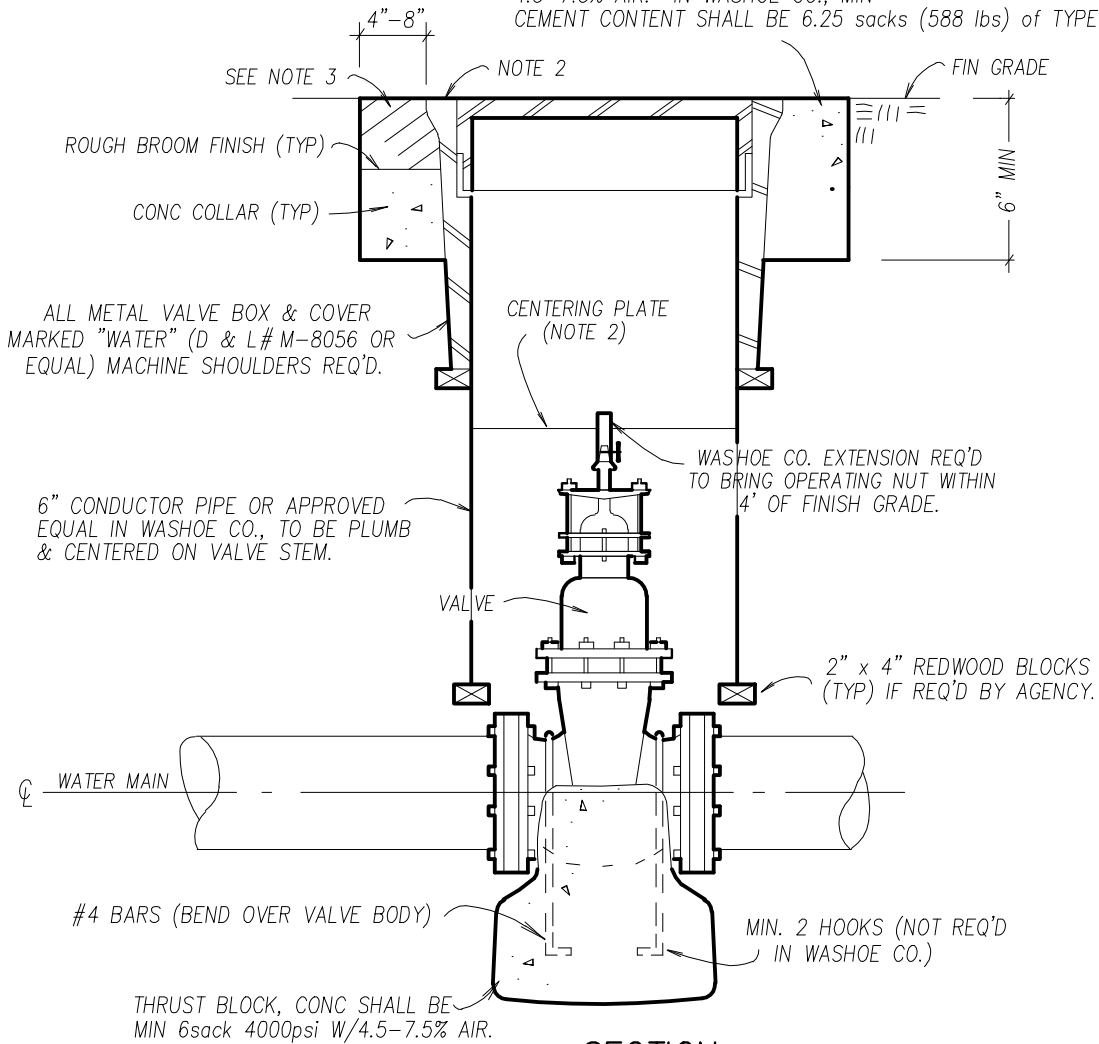


CONCRETE SHALL BE MIN 6 sacks 4000psi W/  
4.5-7.5% AIR. IN WASHOE CO., MIN  
CEMENT CONTENT SHALL BE 6.25 sacks (588 lbs) of TYPE II CEMENT.



**SECTION**

N.T.S.

NOTES

1. SEE DWG 3-7 FOR THRUST BLOCK SIZE.
2. IN WASHOE CO., VALVE BOXES FOR BOTH GAS & WATER TO BE SET 3/8"-5/8" BELOW FINISH ROADWAY SURFACE. INSTALL OPERATING EXTENSION W/OPERATING NUT RESTRAINING BOLT & TOP CENTERING PLATE. ANCHOR BARS & REDWOOD BLOCKS NOT REQ'D WHEN OPERATING NUT IS AT GREATER DEPTH THAN 4' FROM FIN GRADE.
3. IN WASHOE CO., CONC COLLAR TO BE LEFT 2" BELOW FINISH ASPH SURFACE. PLACE 2" OF TYPE 3 ASPH PAVING AROUND VALVE BOX. APPLY SS-1 TACK COAT BEFORE PAVING. SEAL A.C. SURFACE W/SS-1 SAND. CHIP SEAL, FOG SEAL, SAND SEAL OR SLURRY SEAL PAVED SURFACE AS REQ'D BY PLANS OR SPECS. EXTEND CONC COLLAR TO GRADE WHEN NOT LOCATED IN ASPH PAVE OR IN UNPAVED AREA.
4. IN CARSON CITY REFER TO DETAIL C-10.1
5. RENO ONLY: PLACE VALVE BOX & CONC COLLAR FLUSH W/ASPHALT.

NO.	REVISION	DATE	STANDARD DETAILS FOR PUBLIC WORKS CONSTRUCTION	SECTIONS
1	REDRAW	3/94vp	<b>VALVE , BOX &amp; COVER</b>	<b>3</b>
2	NOTES 2,3,4	1/95vp		DRAWING NO. <b>3-9(307)</b>
3	NOTE 5	4/95vp		DATE 7/90
4	Concrete note	12/11sw		PAGE <b>11</b>