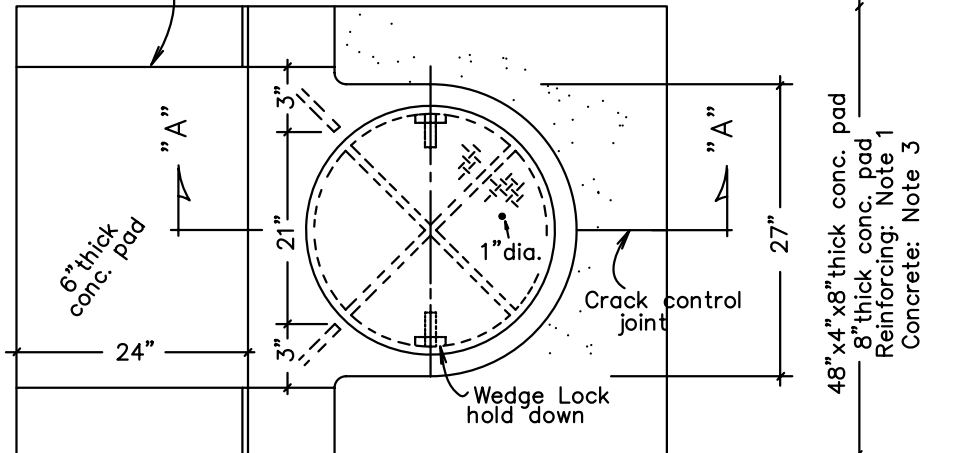


PINKERTON A-434 FRAME

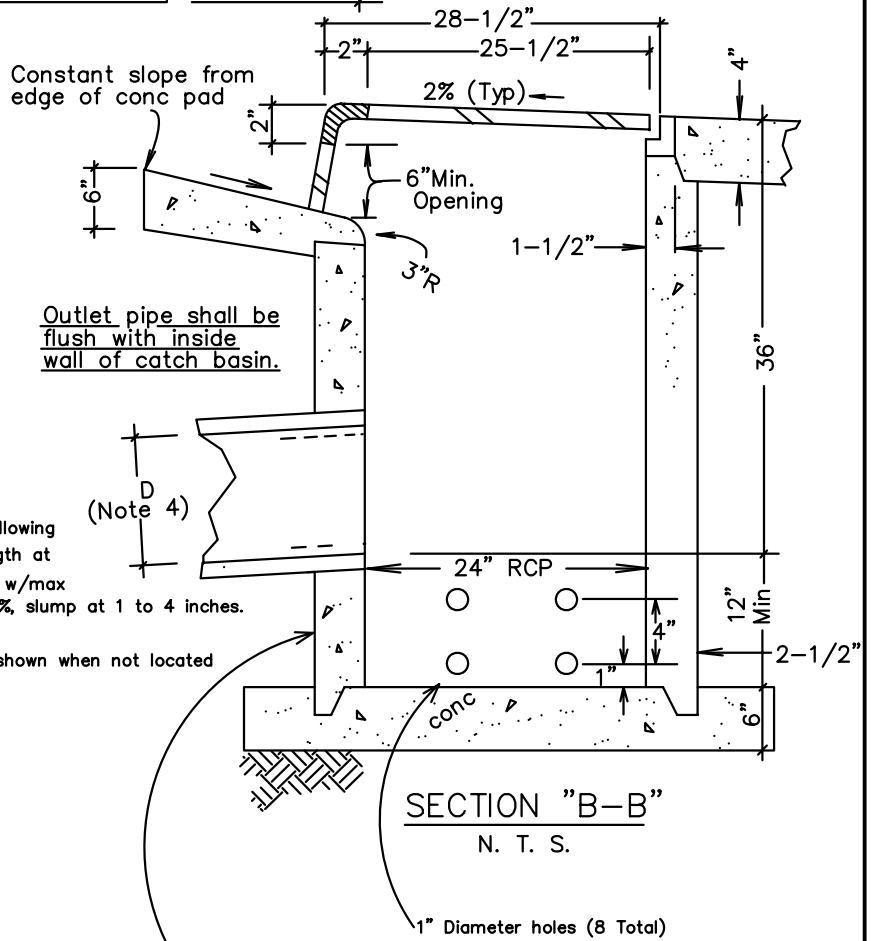
& COVER, OR EQUAL

N. T. S.

Crack control joint(Typ)



48" x 4" x 8" thick conc. pad  
8" thick conc. pad  
Reinforcing: Note 1  
Concrete: Note 3



Outlet pipe shall be flush with inside wall of catch basin.

NOTES

1. Not permitted in Fallon. See Fallon special section
2. Portland cement concrete (PCC) shall have the following characteristics: 4000 psi min. compressive strength at 28 days, min. 6 sacks of cement per cu. yd. w/max water-cement ration of 0.45 air entrainment 6.0%, slump at 1 to 4 inches. All material shall conform to SSPWC SEC. 202.
3. A 4" thick concrete pad shall be constructed as shown when not located in sidewalk.
4. "D" shall have a min. dia as follows:  
 LYON COUNTY: D=15"  
 CARSON CITY  
 DOUGLAS COUNTY: D=12"  
 LANDER COUNTY  
 ELSEWHERE: D=12"
5. Carson City - Remove sump, slope base to drain.
6. Yerington - Depth to pipe as necessary, no minimum.
7. Reno - For use only in low point(ump) in curb and gutter.
8. In areas of fine grained or expansive soils, class "C" backfill depth shall be 24 inches below bottom of barrel.

SECTION "B-B"

N. T. S.

For additional details, see drawing 2-8.1

NO.	REVISED	DATE	STANDARD DETAILS FOR PUBLIC WORKS CONSTRUCTION	SECTION:
1			CATCH BASIN TYPE I	2
2				DRAWING NO: 2-8
3				DATE: 7-07 PAGE: 11