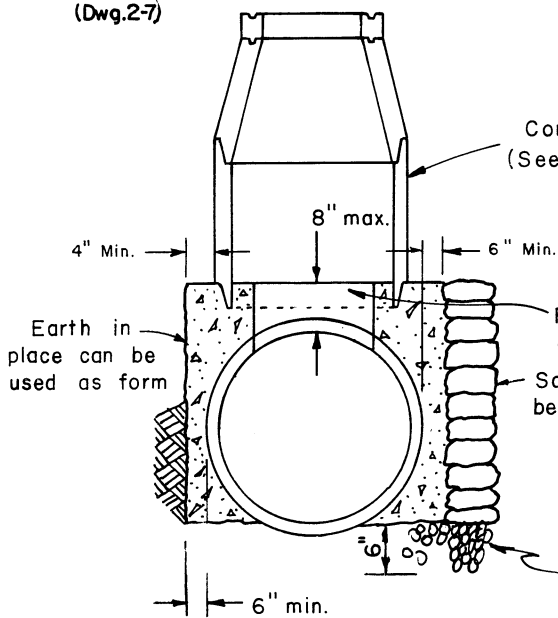


Conc collar
(Dwg. 2-7)

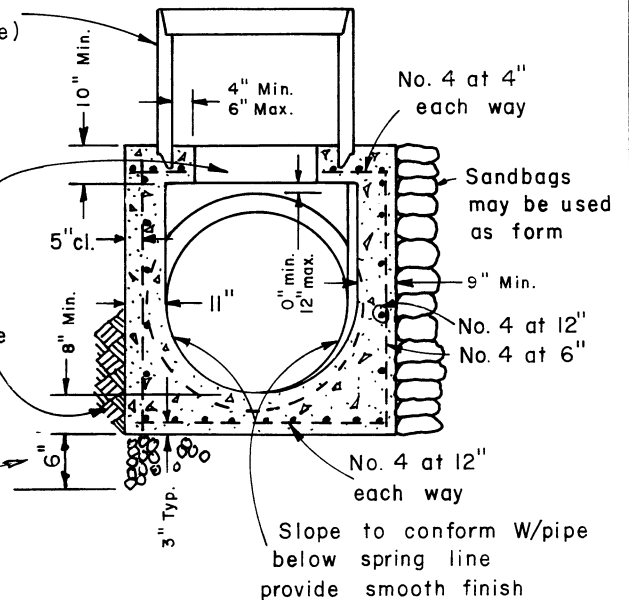
PLAN



SECTION A - A

TANGENT

Concentric Manhole
(See type I manhole)



SECTION B - B

ANGLE POINT

NO.	REVISION	DATE	STANDARD DETAILS FOR PUBLIC WORKS CONSTRUCTION	SECTION 2
I	Drain rock	5-95vp	MANHOLE TYPE IV	DRAWING NO. 2-6 (306)
				DATE 7-81
				PAGE 9