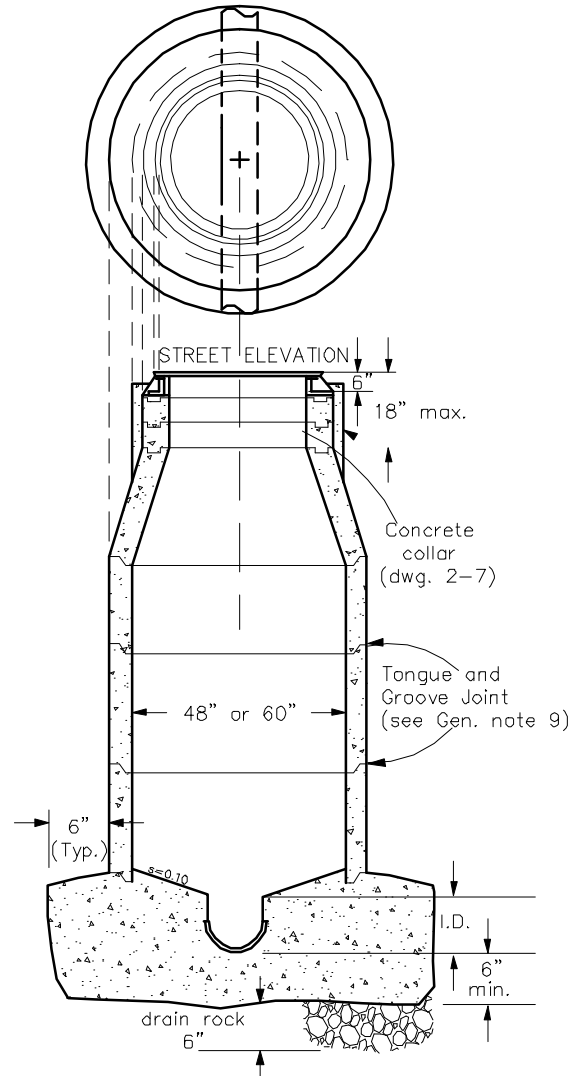
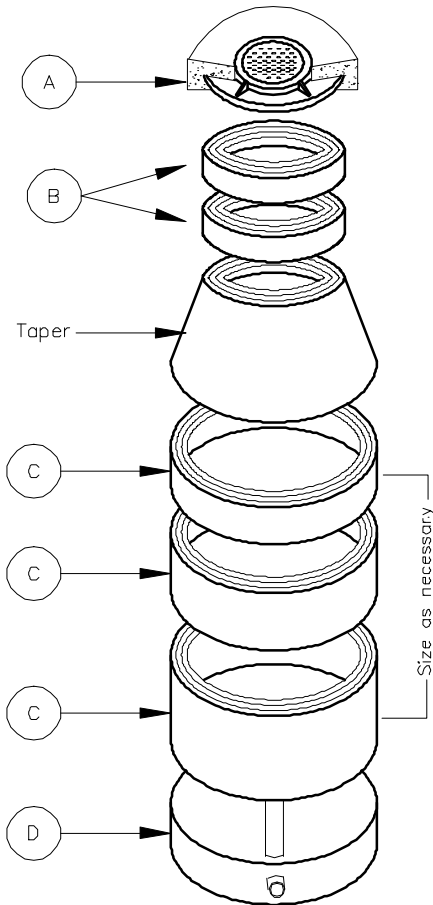


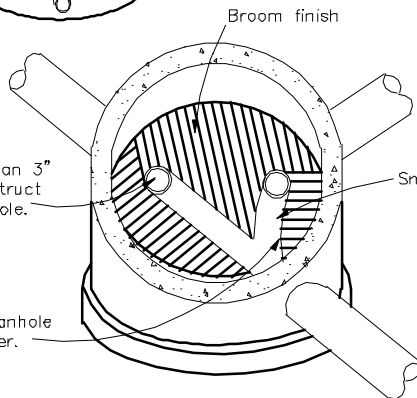
Typical Precast Concrete Manhole
EXPLODED VIEW

Precast Manhole Components
shall conform to ASTM C-478



Pipe shall not protrude more than 3" inside of manhole section. Construct water tight connection to manhole.

Form smooth curve in manhole base for intersecting sewer.



NOTES

ISOMETRIC VIEW

1. Manhole section, lengths arranged to fit depth.
2. Precast base may be used if approved by Governing Agency.
3. Lander County Only – Manholes constructed in non-paved areas shall have minimum wall thickness of 5" on cone and barrel sections.

SYM.	ITEM
A	Ring & Cover
B	Grade Adjusting Ring
C	Precast Manhole Sect.
D	Base

TAPER HEIGHT	
Dia.	h
48"	24" min.
60"	48" min.

NO.	REVISED	DATE	STANDARD DETAILS FOR PUBLIC WORKS CONSTRUCTION	SECTION:
1	Re-Draw	4/12sw	MANHOLE TYPE 1	2
2				DRAWING NO:
3				2-3.1 (306)
				DATE: 04/12 PAGE: 4