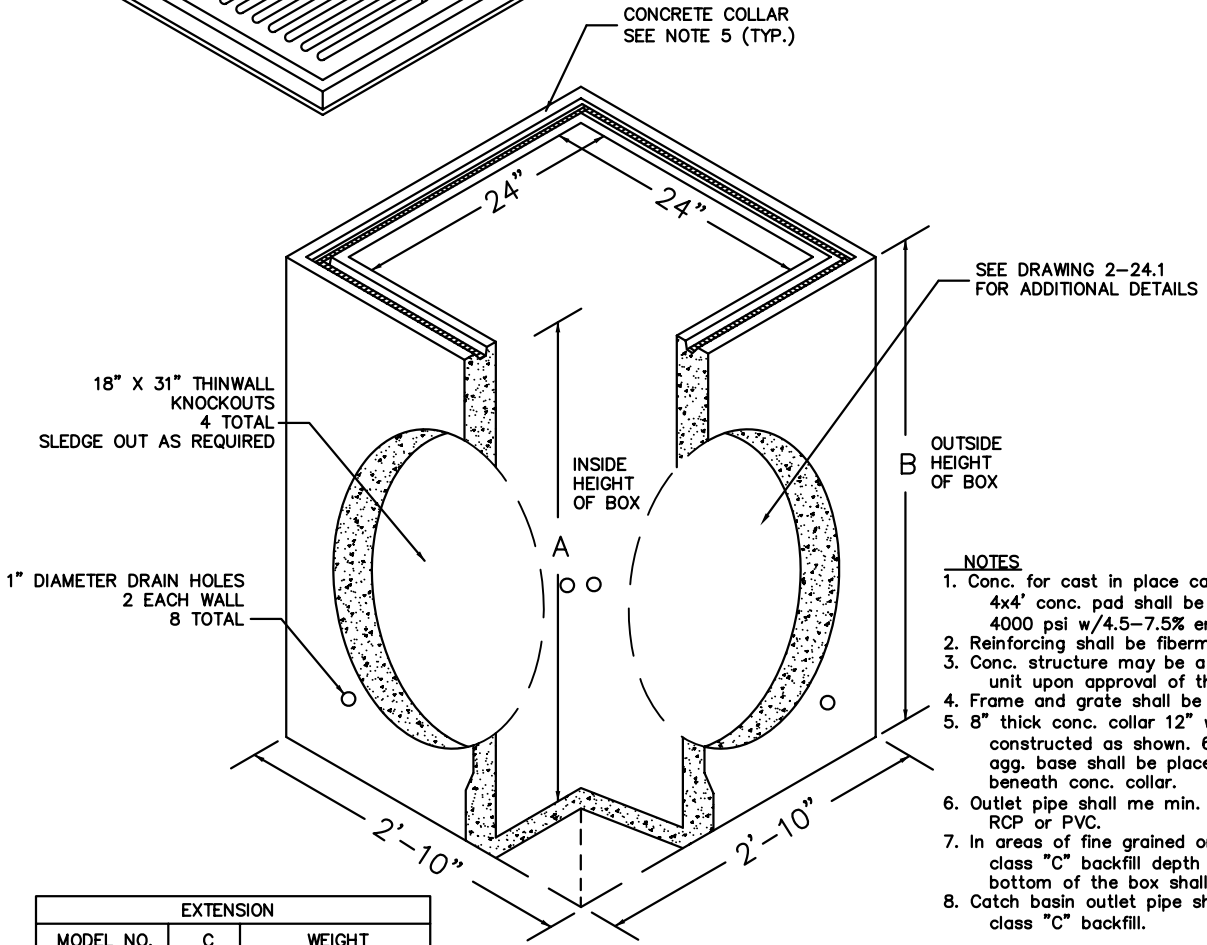
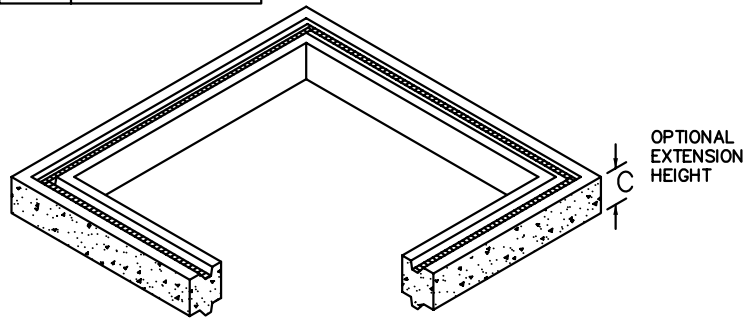


DROP INLET			
MODEL NO.	A	B	BOX WEIGHT
D1242436-3R	36"	42"	1900 LBS.
D1242448-3R	48"	54"	2500 LBS.



EXTENSION		
MODEL NO.	C	WEIGHT
RS242406	6"	300 LBS.
RS242412	12"	600 LBS.



- NOTES**
1. Conc. for cast in place catch basin & 4x4' conc. pad shall be 6.25 sack 4000 psi w/4.5-7.5% entrained air.
  2. Reinforcing shall be fibermesh.
  3. Conc. structure may be a pre cast conc. unit upon approval of the Co. Engineer.
  4. Frame and grate shall be bicycle safe.
  5. 8" thick conc. collar 12" wide shall be constructed as shown. 6" of Type 2 agg. base shall be placed & compacted beneath conc. collar.
  6. Outlet pipe shall be min. 12" diameter RCP or PVC.
  7. In areas of fine grained or expansive soils, class "C" backfill depth below the bottom of the box shall be 24 inches.
  8. Catch basin outlet pipe shall be bedded in class "C" backfill.

NO.	REVISED	DATE	STANDARD DETAILS FOR PUBLIC WORKS CONSTRUCTION	SECTION:
1			<b>TYPE 3-R CATCH BASIN</b>	2
2				DRAWING NO:
3				2-24
				DATE: 06-07 PAGE: 37