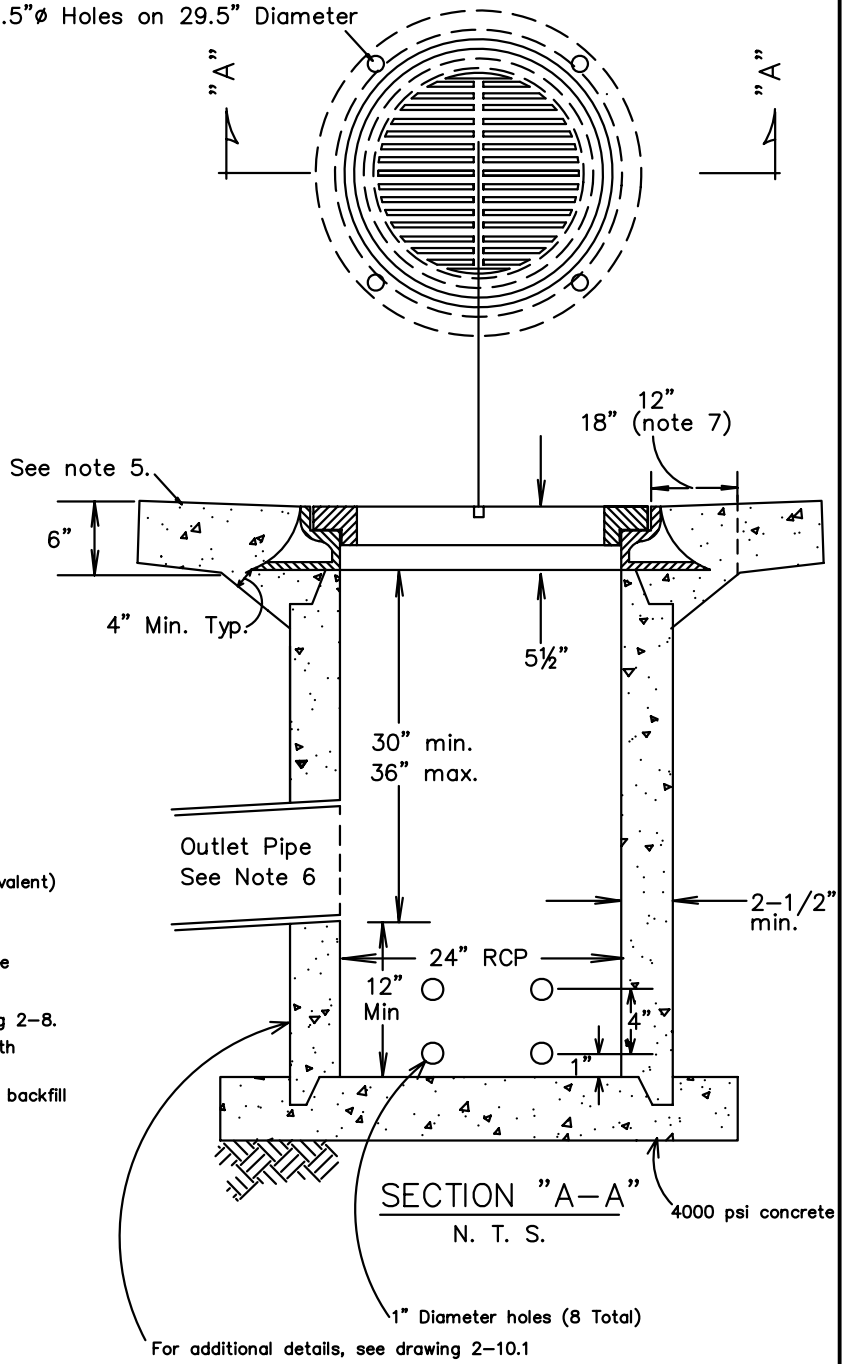


Cover – Pinkerton A-108 or Equivalent
Frame – Pinkerton A-101 or Equivalent
 N. T. S.

(4) 2.5"Ø Holes on 29.5" Diameter



NOTES

1. Carson City – Not permitted in Public Ways.
2. Not permitted for use in Lyon County.
3. Fallon – See Agency Section
4. "Bee Hive" grate (Neenah #R-2563; R-2564 or equivalent) may be used in unimproved or landscape areas as approved by the engineer.
5. Reno – For use only in unimproved areas. A concrete collar shall be constructed as shown.
6. Outlet pipe to be minimum size as shown on Drawing 2-8.
7. Washoe County – Concrete collar shall be 18" in width at all locations.
8. In areas of fine grained or expansive soils, class "C" backfill depth shall be 24" below bottom of barrel.

NO.			REVISED	DATE	STANDARD DETAILS FOR PUBLIC WORKS CONSTRUCTION	SECTION:
1					CATCH BASIN TYPE 3	2
2				DRAWING NO:		2-10
3				DATE: 8-07		PAGE: 13